



CITUS CRLA10

10 lipsticks/minute filling machine

WHEN QUALITY COUNTS, GO TO THE INVENTOR OF IT

CRLA10 MAIN BENEFITS

Superior quality

- Unmolding without friction
- No flaming

User-friendly

- Simple setup
- Superfast changeovers

Compact

- Integrated melting kettle
- Integrated cooling system
- Small footprint

Very flexible

- Shapes: standard and mini lipsticks, jumbo, slim sticks, lip balm and foundation sticks
- Customization: matt or glossy finish, engraving and special effects.

With more than 160 lipstick machines running worldwide, Citus Kalix is recognized as the gold standard for surface effects, including shininess, engraving and brilliance.

We invented the silicone technology for lipstick molding. Since the patent in 1996, it has become the preferred choice for major luxury brands, many of which are 100% equipped by us.

Advanced technology for perfection

Our exclusive silicone technology allows unmolding without friction. This virtually eliminates the risk of damaging the surface and makes embossing not only possible, but flawless as well.

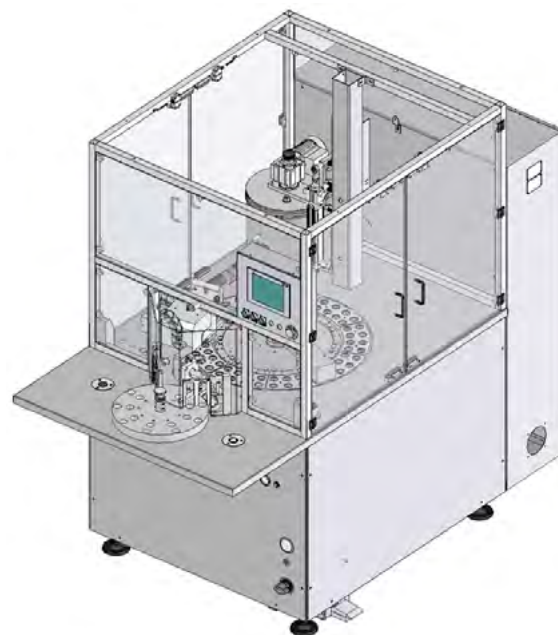
The possibilities to create attractive or branded appearances are unlimited. As masters of mold manufacturing, creating silicone molds for new lipstick shapes, motifs or logo embossing is a significant part of our activity.

Superior and easy operation

The CRLA10 machine can run at 10 parts per minute with jumbo, slim and mini lipsticks. Besides delivering perfect products, it offers superior operator-friendly use. It is robust, reliable and easy to run.

Our dedicated team will help to adapt the machines to your specific needs and will provide technical support throughout products.

Contact us today!



*Compact and flexible
with perfect surface
results*

1. Mold Pre-Heating

Heats the silicone molds prior to filling

2. Filling

Two heated volumetric pumps driven by servomotor

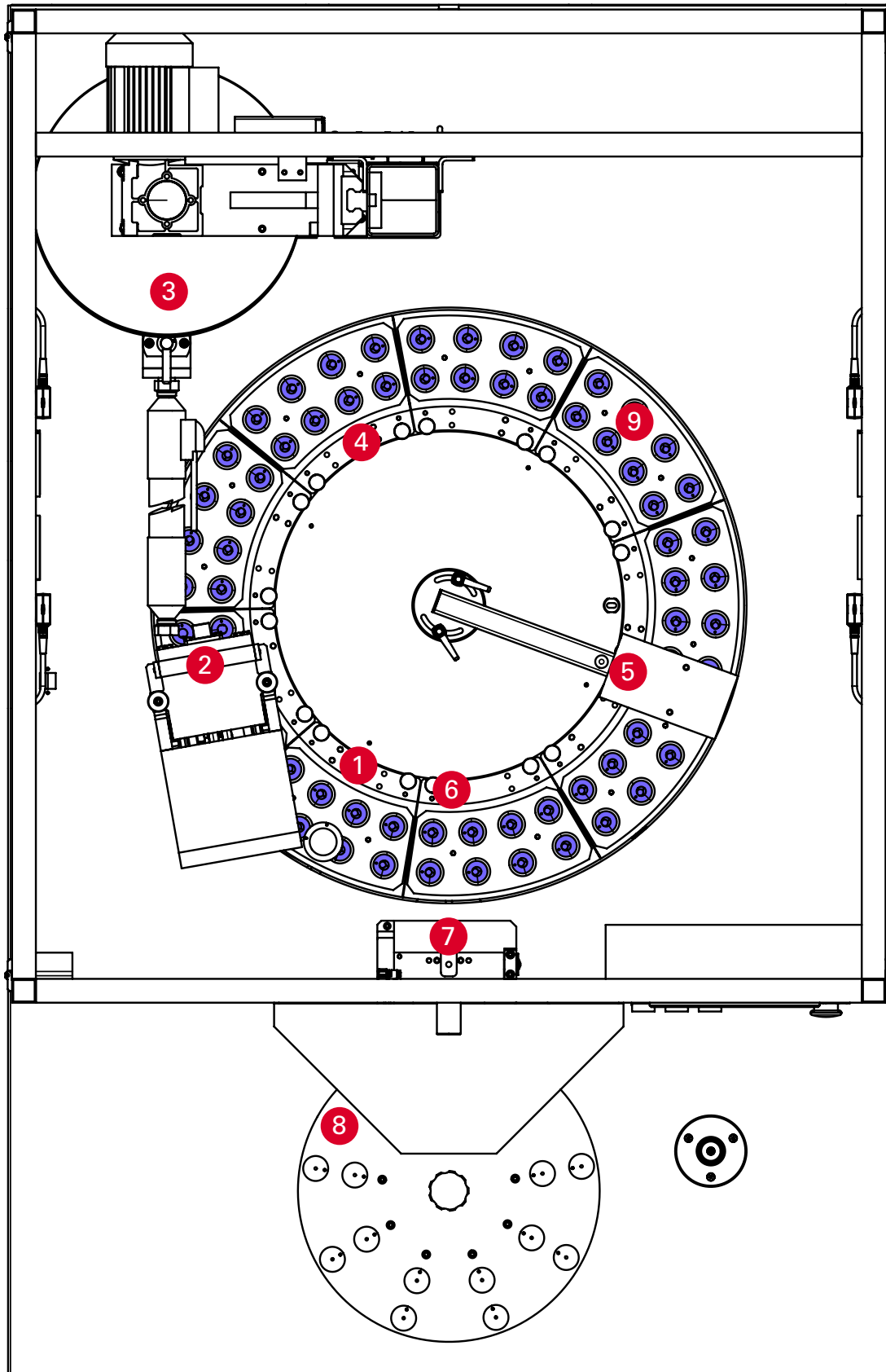
3. Integrated Kettle

Melting Kettle with 10 liters of useful capacity



4. Integrated Cooling System

The output of 10 lipsticks per minute is based on a five minutes cooling time



5. Reheating Unit

Flattens the upper part of the bullet

6. Opening Units

Two opening cones enable unmolding and picking

7. Pneumatic Pick and Place

Control the gripping plate movement

8. Automatic Rotary Plate

- 18 pucks for lipstick loading
- Clockwise or counter-clockwise



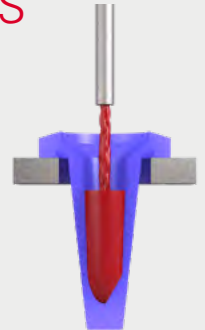
9. Molds

72 molds, covered by our patented process and exclusively produced by Citus Kalix



LIPSTICK MOLDING PROCESS

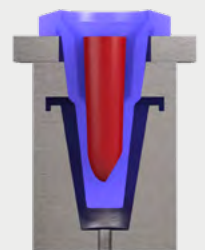
Filling



Cooling



Upper mold opening



Picking

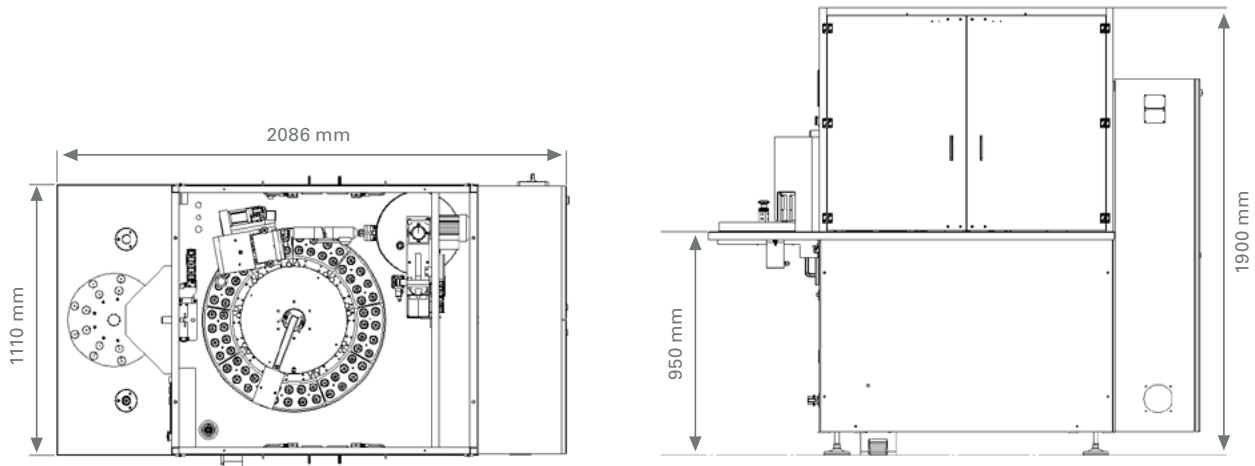


Lower mold opening



TECHNICAL CHARACTERISTICS

Layout:



1. Changeover time

- Changeover to a new format: 10 minutes
- No silicing, no mold cleaning, no flaming

2. Technical features

- Compatible with all shapes: Lipstick, Pencil, Chubby, Mini-Lipstick, Lip Balm, Foundation sticks
- Large customization possibilities including specific forms and logo embossing
- Manual loading of the mechanisms on an automatic 18-stations rotary plate
- Mold preheating by air
- Dosing with two volumetric pumps driven by servomotor
- Cooling by air
- Reheating with halogen lamps
- Opening of the mold by vacuum in two steps
- Bullet insertion into the mechanism thanks to a swiveling gripper plate
- Speed and volume adjustment on the touchscreen
- Guards in stainless steel and polycarbonate
- Sound level less than 75 dbA at 1 meter

- 7" Color touchscreen
- SIEMENS PLC
- CGMP machine
- Operator safety: starting the machine is not possible if all guards are not closed
- Complies with CE standards

3. Energy

- Pressure 6 bars
- Power 13 kW

4. Lipsticks

- From Ø 6 mm to Ø 22 mm
- Length 26 mm to 51 mm

For other sizes please consult us

Main options

- Manual wind-down unit
- Orientation tool for Slim sticks
- Back & Top filling
- IQ/OQ documentation

These data are indicative and can be subject to modification without prior notice.

Product range

Machine	Lipstick filling			
	CRLA10	CRLA20	CRLA60	CRLA90
Speed in parts per min	10	20	60	90
Citus Kalix Quality System	●	●	●	●
Changeover time only filling product in min	10	5*	5*	5*
Changeover time complete format in min	10	10	15	20
Changeover without tooling	◐	◐	◐	◐
Options availability	◐	●	●	●

* Estimate based on average set-up, considering use of an extra set of wet parts



coesia

coesia.com

Coesia is a group of innovation-based industrial solutions companies operating globally, headquartered in Bologna, Italy.

Coesia's companies are leaders in the sectors of:

- **Advanced automated machinery and materials**
- **Industrial process solutions**
- **Precision gears**

Coesia's customers are leading players in a broad range of industries, including Consumer Goods, Tobacco, Healthcare, Aerospace, Racing & Automotive and Electronics.



a coesia company

citus-kalix.fr

CITUS KALIX
ZA du Bois de l'Épine
6 avenue du Bois de l'Épine
F-91080 Courcouronnes – France
Tel +33 (0)1 69 87 46 46
Fax +33 (0)1 69 90 75 15
e-mail machines: sales@citus-kalix.fr
e-mail after-sales: support@citus-kalix.fr